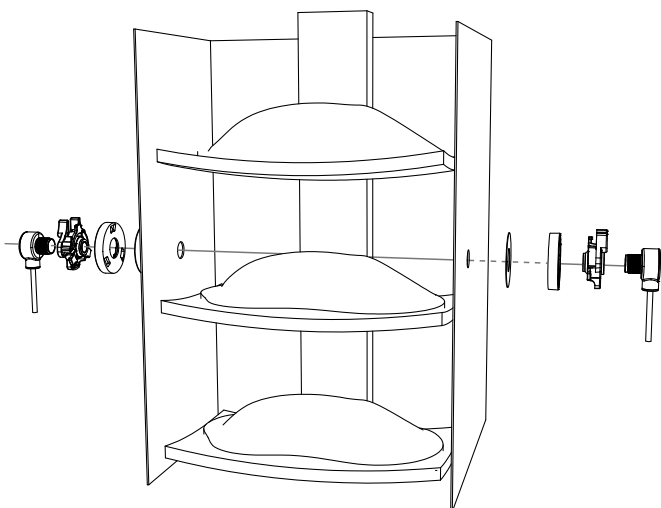
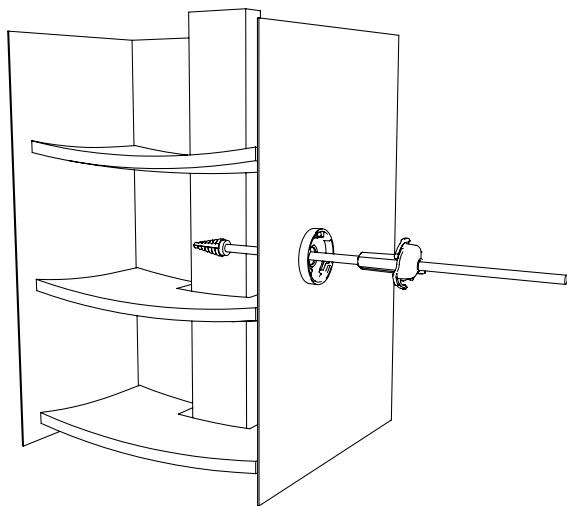


FarmTRX™

FarmTRX Yield Monitor with QuickConnect Technology

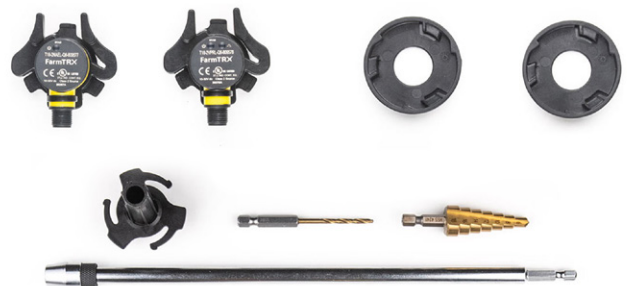


QuickConnect Technology (patent-pending) makes the installation of optical sensors faster, simpler, and more accurate by offering a universal, click-into-place install.



HOW IT WORKS

- 3M VHB™ Adhesive Backed Mounting Plates**
Secure against the elevator face using an industrial strength adhesive backing.
- Drill Guide Kit**
Includes a Drill Guide, 12" (30 cm) Drill Extension, pilot bit and step drill bit allowing straight through drilling to the back of the elevator and alignment of mounting plates.
- QuickConnect Optical Sensor Mounts**
Click in/out of the mounting plate with ease. A removable, hardened lens and O-ring seal protect the sensor from external wear.



FEATURES

- Significantly reduce installation time
- Drill perfectly aligned sensor holes from the front of the elevator
- Low profile sensors and compact mounting plates allow for easy installation in confined spaces
- Optical sensors are protected by a durable lens